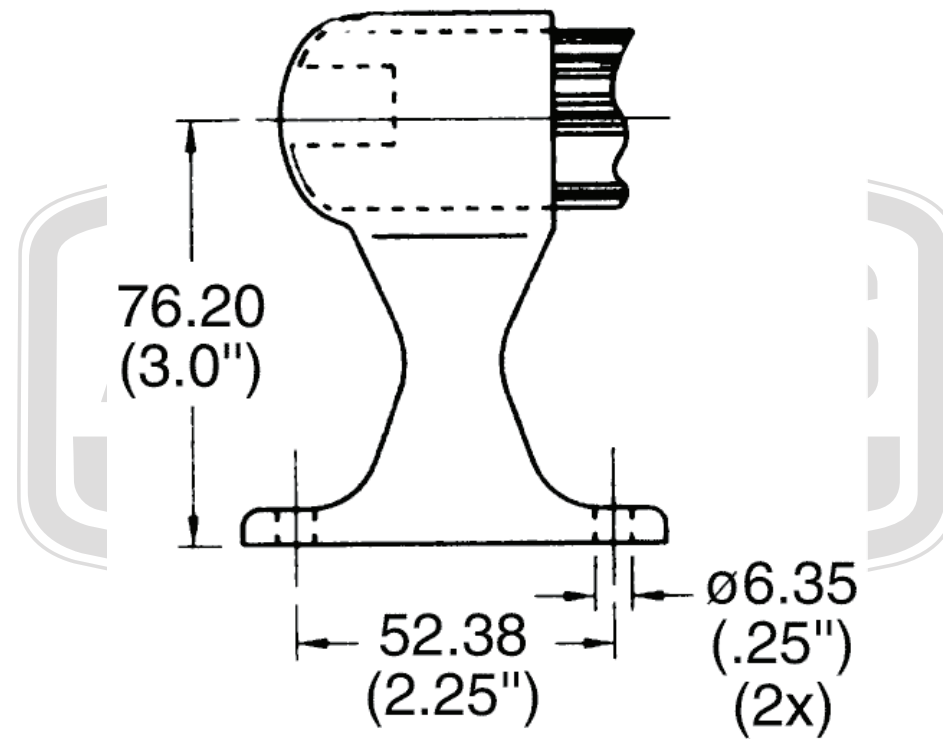


APPROVAL - CUSTOMER NAME & SIGNATURE

DATE



ALLEGIS	1-866-378-7550
MATERIAL:	DRAWING NO. : HL8000-CH
FINISH: Chrome	
REV. : 1:1	DATE: 6/17/2019